



ORAMA MINIMAL FRAMES HIGHLIGHTS PROJECTS PARTNERS

H I G H T
L I G H T
A S T
R O C K
S M I L E
S T A R
P I N
S T A R
S T A R



Orama Highlights Brochure

Edition 14_EN / 12 · 2018

First Edition 6 · 2016

Technical drawings: **Orama R & D**

Brochure Design: **Role Play** / roleplay.gr

Contact us

at info@oramaminimalframes.com

visit www.oramaminimalframes.com

call **+30 27440 65817**



Goodwood

YEAR 2015 · LOCATION GOODWOOD, UK · PARTNER FINEPOINT





Würst

YEAR 2016 · LOCATION GHENT, BELGIUM · PARTNER VIEW





Poutet

YEAR 2015 · LOCATION BRUSSELS, BELGIUM · PARTNER PAUWELS VERANDA'S





Villa Tulpenlaan

YEAR 2017 · LOCATION KNOKKE, BELGIUM · ARCHITECT ARTTEC ARCHITECTENBURO · PARTNER VIEW





Linley Point

YEAR 2017 · LOCATION AUSTRALIA · PARTNER ENVIRO





Groenland

YEAR 2016 · LOCATION NETHERLANDS · PARTNER TUDOR





L-HIGH

YEAR 2017 · LOCATION NETHERLANDS · PARTNER TUDOR





Colosseum Luxury Apartments

YEAR 2015 · LOCATION ROME, ITALY · PARTNER ATELIER ITALIA

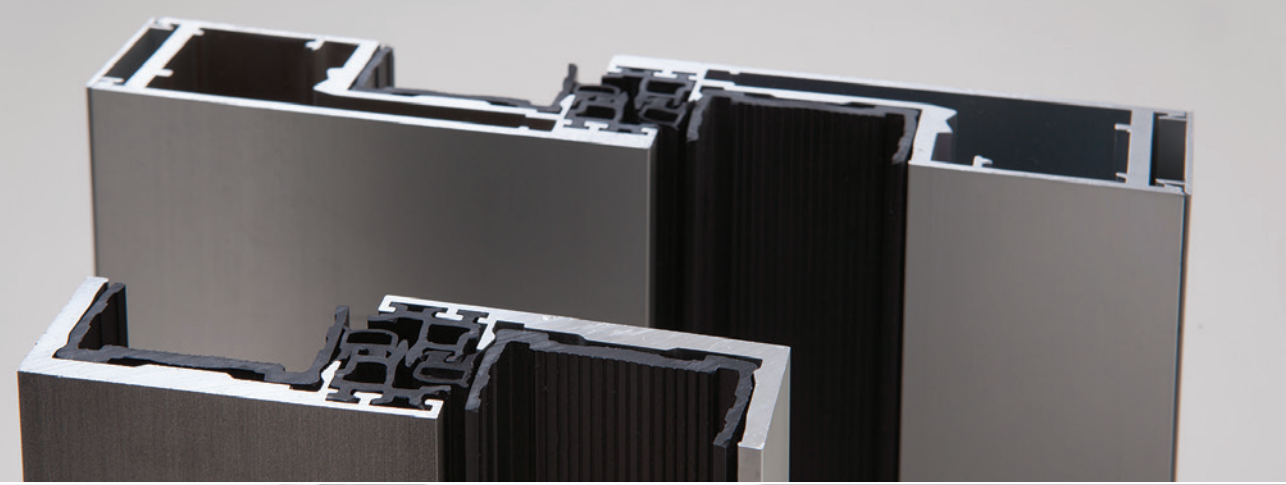




Demeester

YEAR 2016 · LOCATION KNOKKE, BELGIUM · ARCHITECT KOEN WILLEM · PARTNER VIEW





HIGHLIGHTS



ORAMA is the Greek word for vision. ORAMA Minimal Frames is a company devoted in bringing architect's vision to life.



Our aim is to find the right frame solution for any architectural requirement – no matter how extreme or ambitious. We love architecture and architects love us!



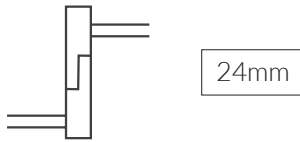
All our products have been designed into perfection and are available worldwide through our constantly expanding network of partners.



MINIMAL LABYRINTH MAXIMAL PERFORMANCE

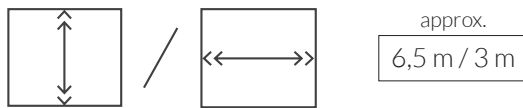
Minimum facing width

Possible for leaf height under 3 m



Max. leaf height / length

Depending on labyrinth, frame width and windload



Max. leaf weight

Depending on the number of wheels



Max. sliding leaf area



Max. fix leaf area



The perfect combination of minimalism and performance

Despite the small dimensions of the profiles, ORAMA Minimal Frames can slide 800 kgr. The height of each vent can reach 3,0 m with small labyrinth (24mm) and up to 6,5 m with the large labyrinth (30mm).

We have managed to reduce the «labyrinth» width to just 24mm, achieving air resistance Class C5 at the same time. The hook's depth can be limited to 124mm in total, creating a minimal effect whatever the angle you're looking from.

[See catalogue's page 4.3 solution A](#)





VELVET FUNCTION

Smooth Sliding

ORAMA Minimal Frames sliding vents move on dual stainless steel rails with two double stainless steel rollers on each side of each vent. This means that each vent moves on at least eight rollers. This results in a perfectly silent and smooth sliding system operation. Also available with electric motorization.

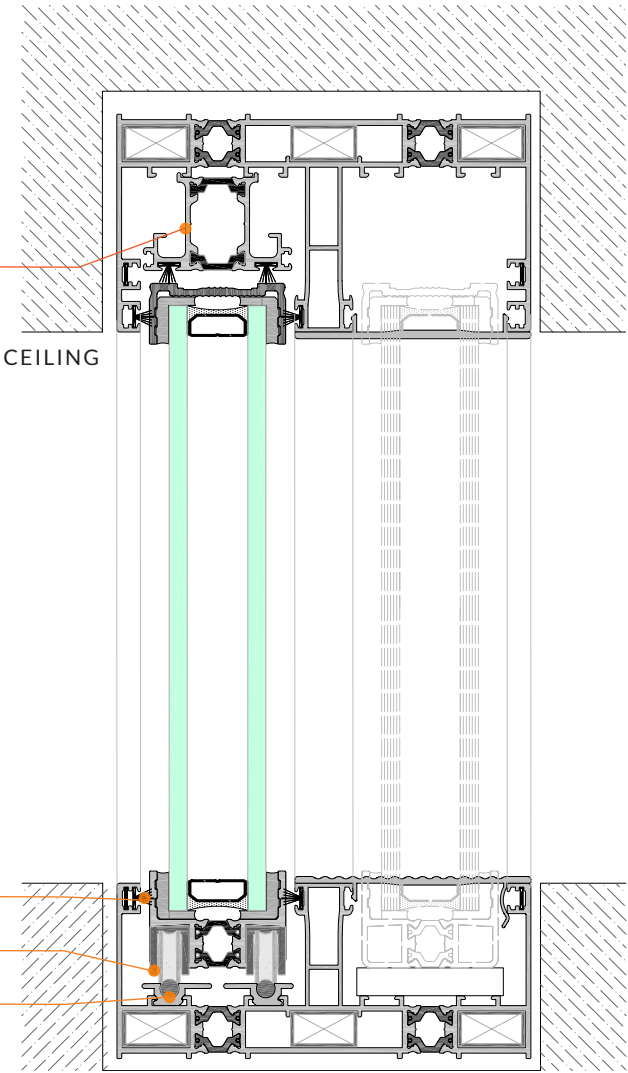
Instead of having the rollers on the frame, we have placed our high-quality stainless steel rollers on the vent, making any maintenance quick and easy.

[See catalogue's page 4.1, 4.2](#)

2 x double stainless steel rollers



EXTRA PROFILE FOR EXTRA SAFETY AND TIGHTNESS



CEILING

SPECIAL BRUSH OR Q-LON

ROLLER CARRIAGE

INOX RAILS



ADJUSTABLE BASE

Silicon gaskets

The labyrinths comprise of 2 internal pvc profiles that snap when the frames are in sealing position. In the same place there are 2 silicon gaskets where typically only brushes are used.

See catalogue pp. 7.1 7.2 8.1

Drainage System

For the optimal operation of the ORAMA Minimal Frames system, a special drainage system has been studied, offering the following options:

- with an aluminum profile
- with LITEC®, a special material with high insulation and waterproof performance

Furthermore, the large size of the track profile allows for large amounts of water to drain before reaching the drainage system gaskets.

See catalogue pp. 9.1, 9.2, 9.3

INOX COVER RAIL

TERRACE COVERING

FILL/PAVEMENT

SYNTHETIC SEPARATOR

DRAINAGE GUTTER

ALUMINUM DRAINAGE BASE

SYNTHETIC THERMAL SHIELD

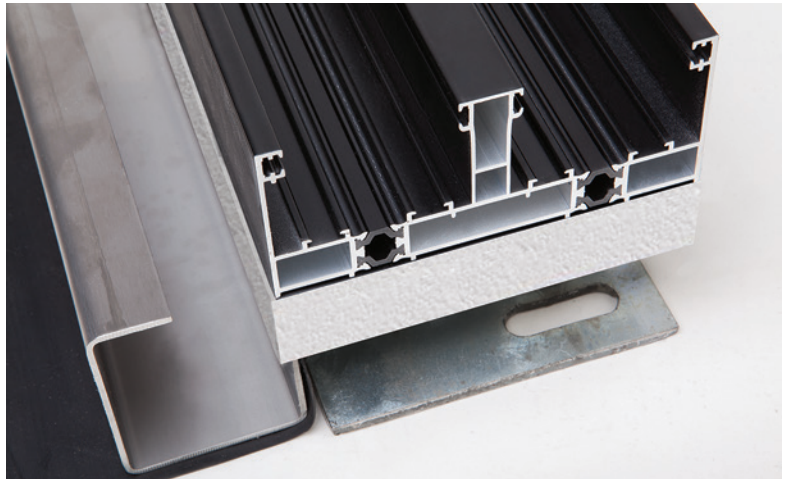
EPDM SEALING FOIL

ADJUSTABLE BASE/900MM

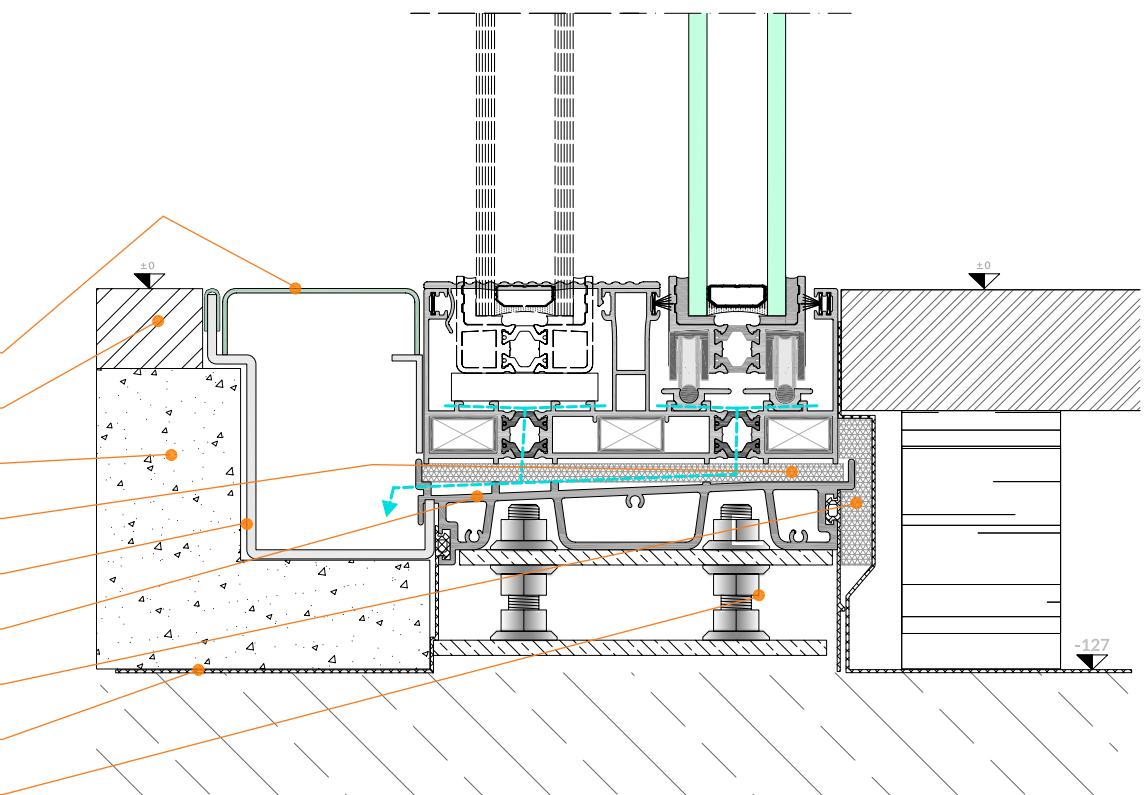
Drainage system with adjustable base



Drainage system with LITEC®



The doors/windows slide on 2 tracks, specially designed with the best European mechanisms and special weight dynamics that provide a perfect result.





ARCHITECTURAL FEATURES

Minimum visual impact

4 mm visible around the vents and just 24 mm visible along the central labyrinth.

See photo 1

Special handmade aluminum parts

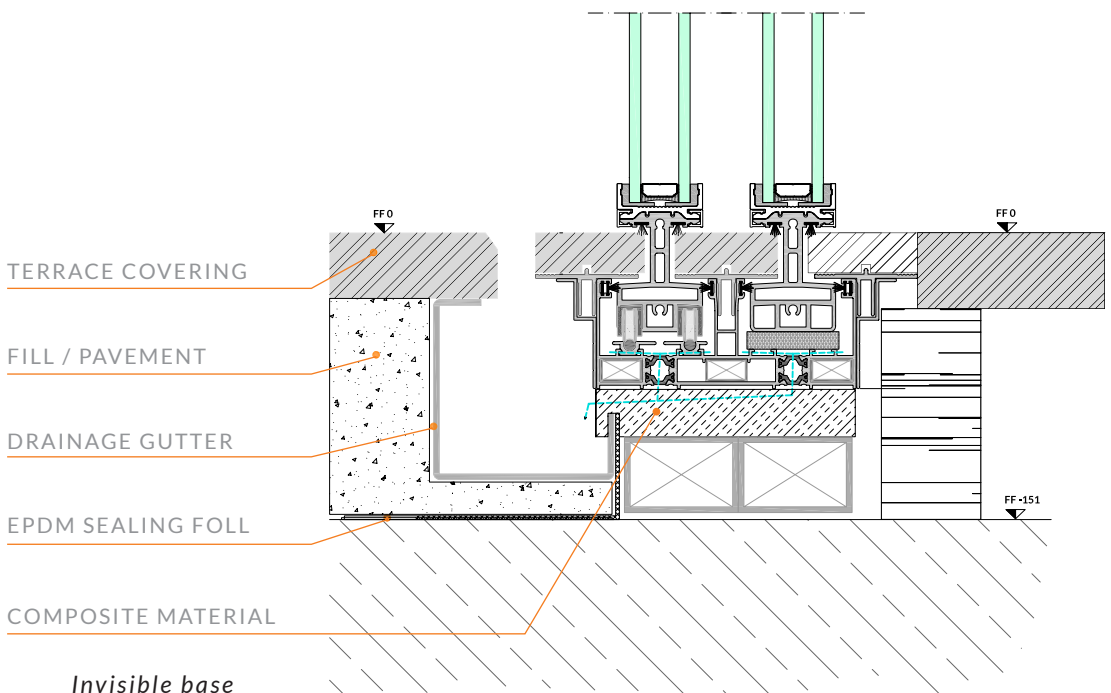
Lock handle is stylishly designed to provide maximum-security protection. Slim handle bar profile can be placed inside or outside. Elegant ruffle and flat caps at the bottom and on the other sides respectively. Modern aluminum details such as rebates, locks, etc.

See photos 2 & 3

Invisible rail system

Gives the option to hide the tracking system while enjoying a continuous flooring.

See photo 4





1 · 4 mm
visible profile



2 · Locking handle



3 · Ruffle caps



4 · Invisible
rail system



TECHNICAL PRACTICALITIES

Quick assembly, installation and maintenance

Adjustable support base of the lower frame. It gives the opportunity to install during an early building phase and, most importantly, can adjust to any floor's imperfections.

See catalogue's page [9.1](#), [9.2](#), [9.3](#), [9.4](#), [9.5](#), [9.6](#)

In case of replacing a wheel, it is not even necessary to pull the vent out of the frame. The wheels can be accessed from the side of the frame with a simple lift.

Tracks can be easily cleaned with a vacuum cleaner compared, for example, to systems that have the wheels on the tracks.



1



2



3



4

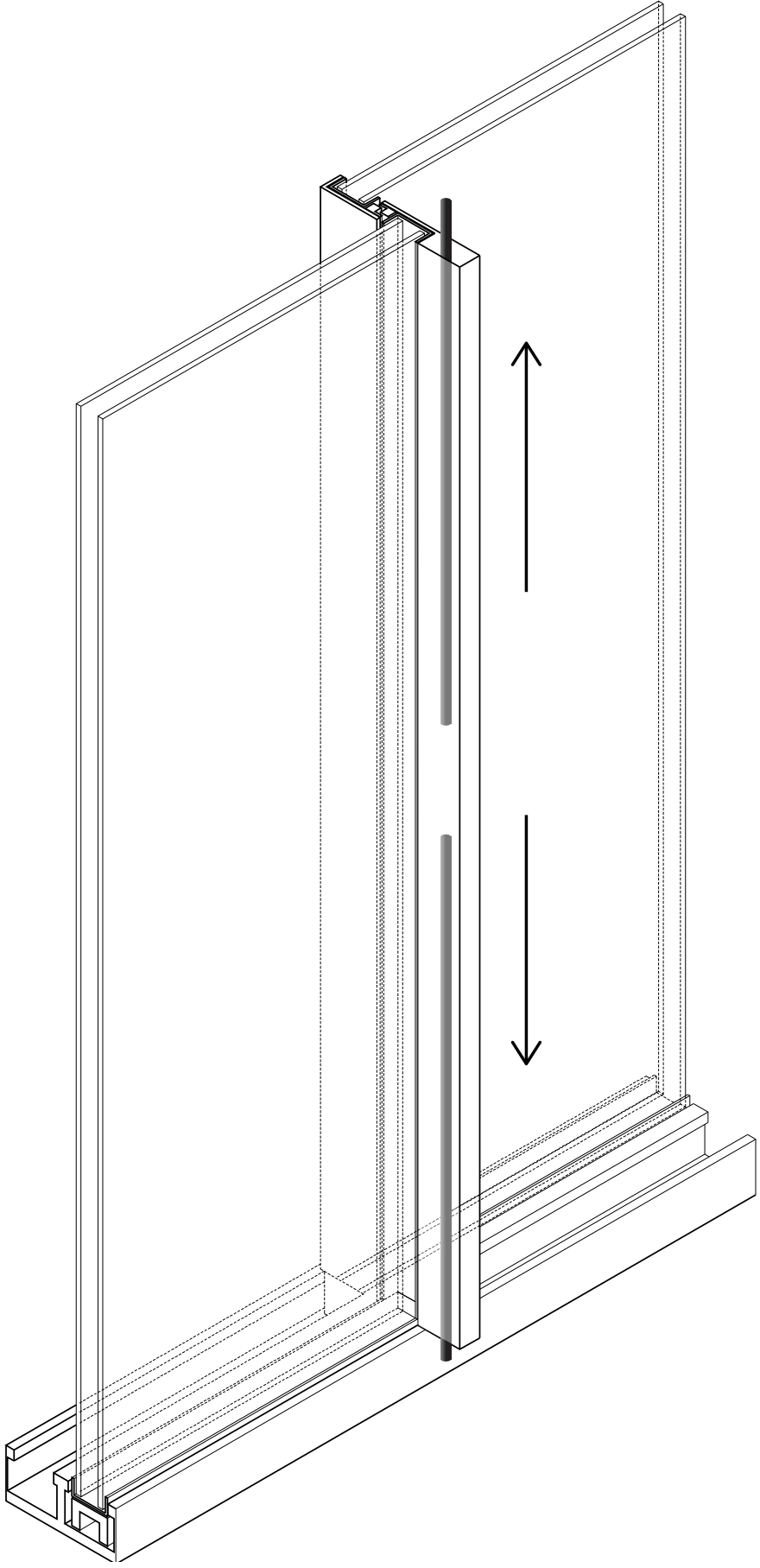


UNCONDITIONAL SAFETY



Resistance to burglary
ENV 1627 WK-2/RC-2

The locks are secured with a special rod up and down in special stainless rebates. This provides the maximum system security. Many combinations of locks.





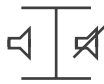
THERMALLY BROKEN SOUND PROOF

The whole system is thermally broken and provides top sound proof.



Uw values

Depending on glass type & dimension
starting on $0,7 \text{ Uw/m}^2$ (triple glazing)



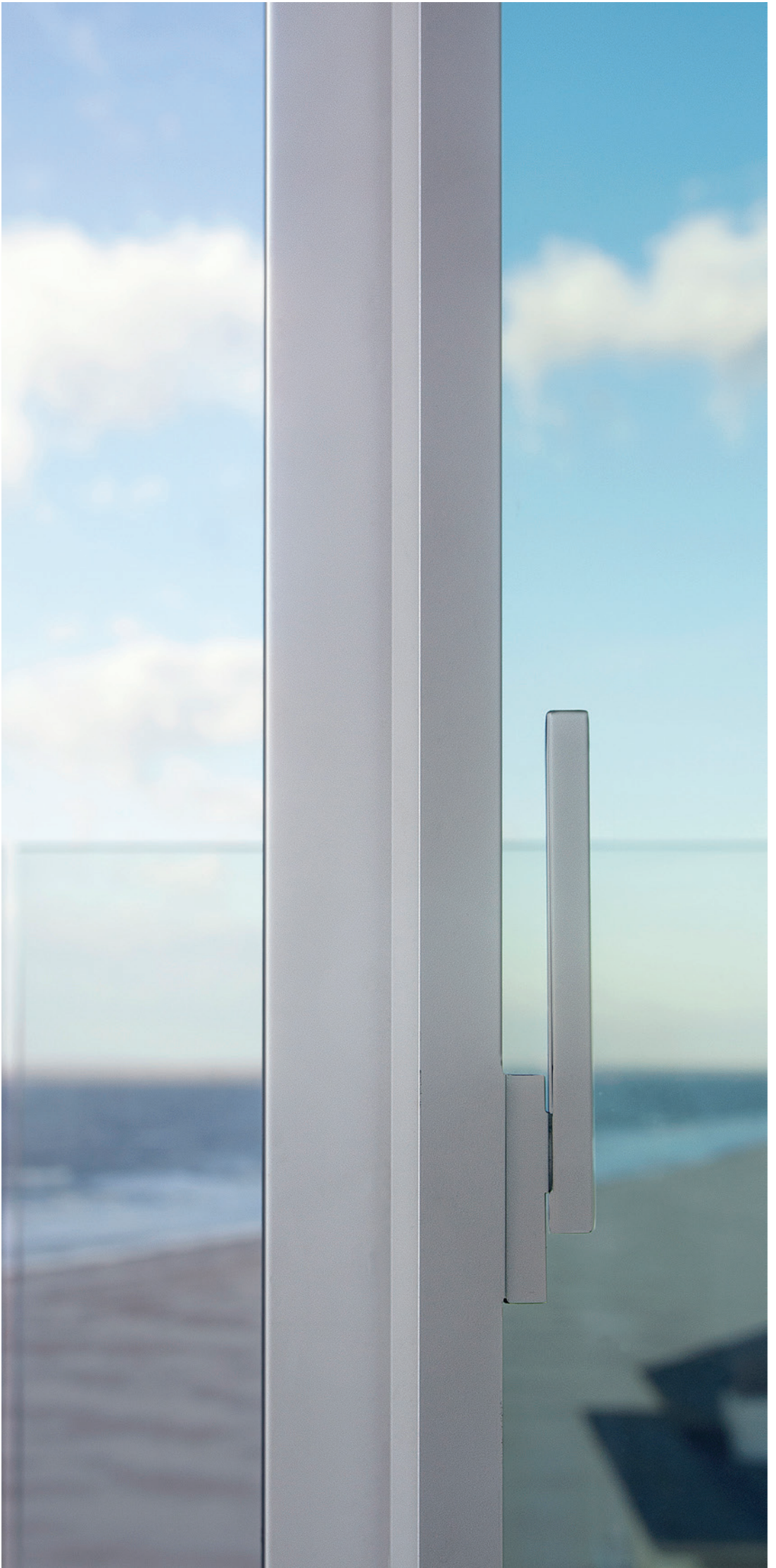
Sound insulation

up to 46 dB

DIN EN ISO 140-3:2005



Triple glazing thermal performance





FRAME COMBINATIONS

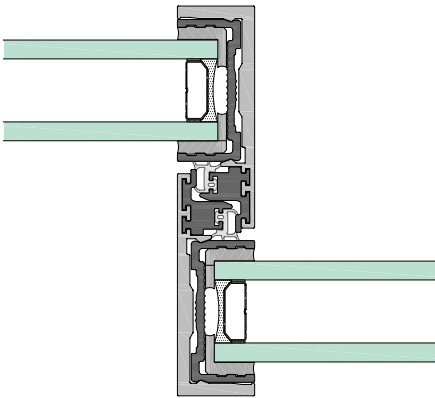
Endless combinations with use of several labyrinth possibilities. ORAMA Minimal Frames innovative meet-style system with a central labyrinth of only 59 mm.

See catalogue page 8.1

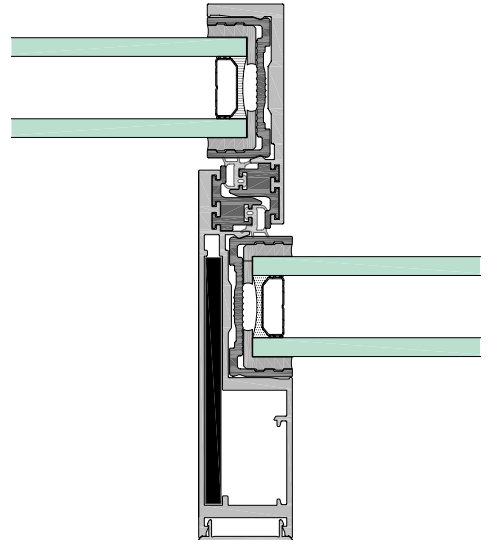


Double-sliding junction Various alternatives

┌ 24 ─┐



┌ 24 ─┐



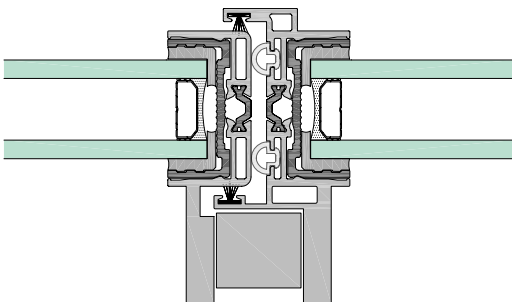
┌ 30 ─┐



Face-to-face junction

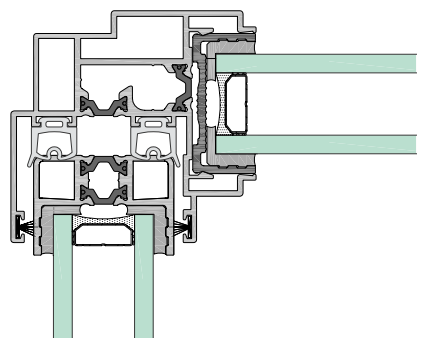
The slimmest in
the World!

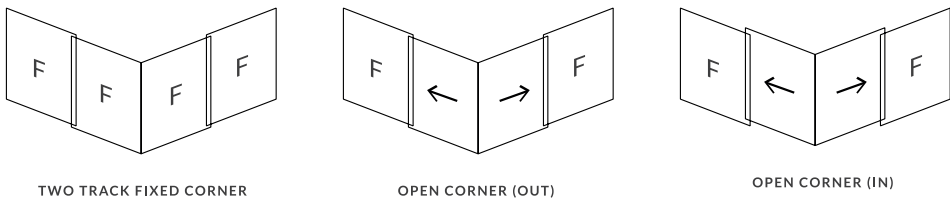
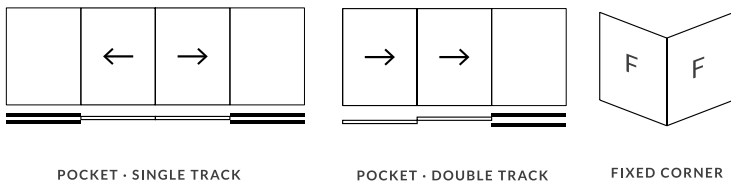
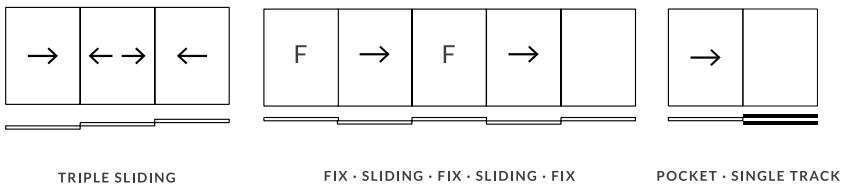
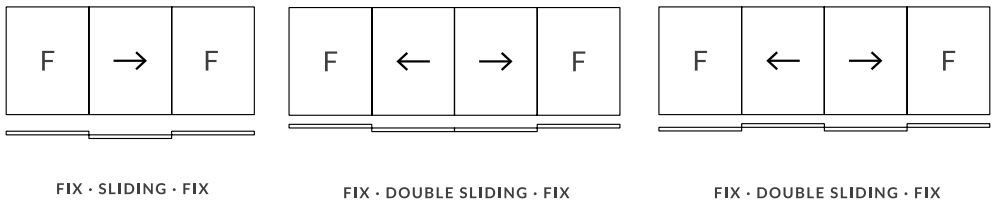
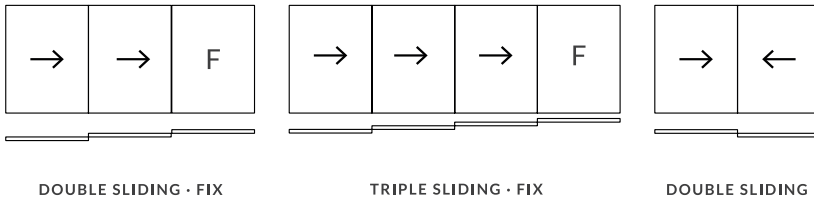
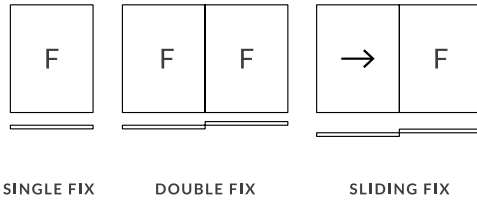
┌ 59 ─┐



Open-track corner

For a completely
frameless view





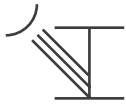


CERTIFIED EXCELLENCE

OMICRON



OMICRON is our standard double glazing option, forming slim profiles and providing comfort.



Uw values
(depending on glass type & dimension)
down to 1,2 Uw/m²K



Air permeability
EN 12207 : Class 4



Resistance to rain penetration
EN 12208 : Class 7A



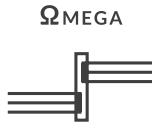
Resistance to wind loads
EN 12210 : Class C5



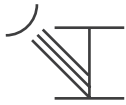
Sound insulation
up to 46 dB DIN EN ISO 140-3:2005



Resistance to burglary
ENV 1627 WK-2/RC-2



ΩMEGA is an advanced triple glazing system able to offer higher performance and security and reducing energy transfers to the minimum.



Uw values
(depending on glass type & dimension)
down to 0,7 Uw/m²K



Air permeability
EN 12207 : Class 4



Resistance to rain penetration
EN 12208 : Class 8A



Resistance to wind loads
EN 12210 : Class C5



Sound insulation
up to 46 dB DIN EN ISO 140-3:2005



Resistance to burglary
ENV 1627 WK-2/RC-2



OUR PREMISES



ORAMA Minimal Frames have been designed from people with great expertise in slim profile frames. Our design team consists of architects, engineers and technicians that hail from all over Europe.

ORAMA's production facilities are located in Greece giving way to a number of significant advantages:

- Our partnership with EXALCO, the country's leading extrusion unit, provides ORAMA with great production capacity and flexibility.
- We are able to keep production costs low while maintaining our high production standards.
- Thanks to Greece's advantageous labor costs, we formed a qualified and efficient team thus covering all manufacturing stages from research to design and from production to promotion.



www.oramainimalframes.com



o r a m a
MINIMAL FRAMES